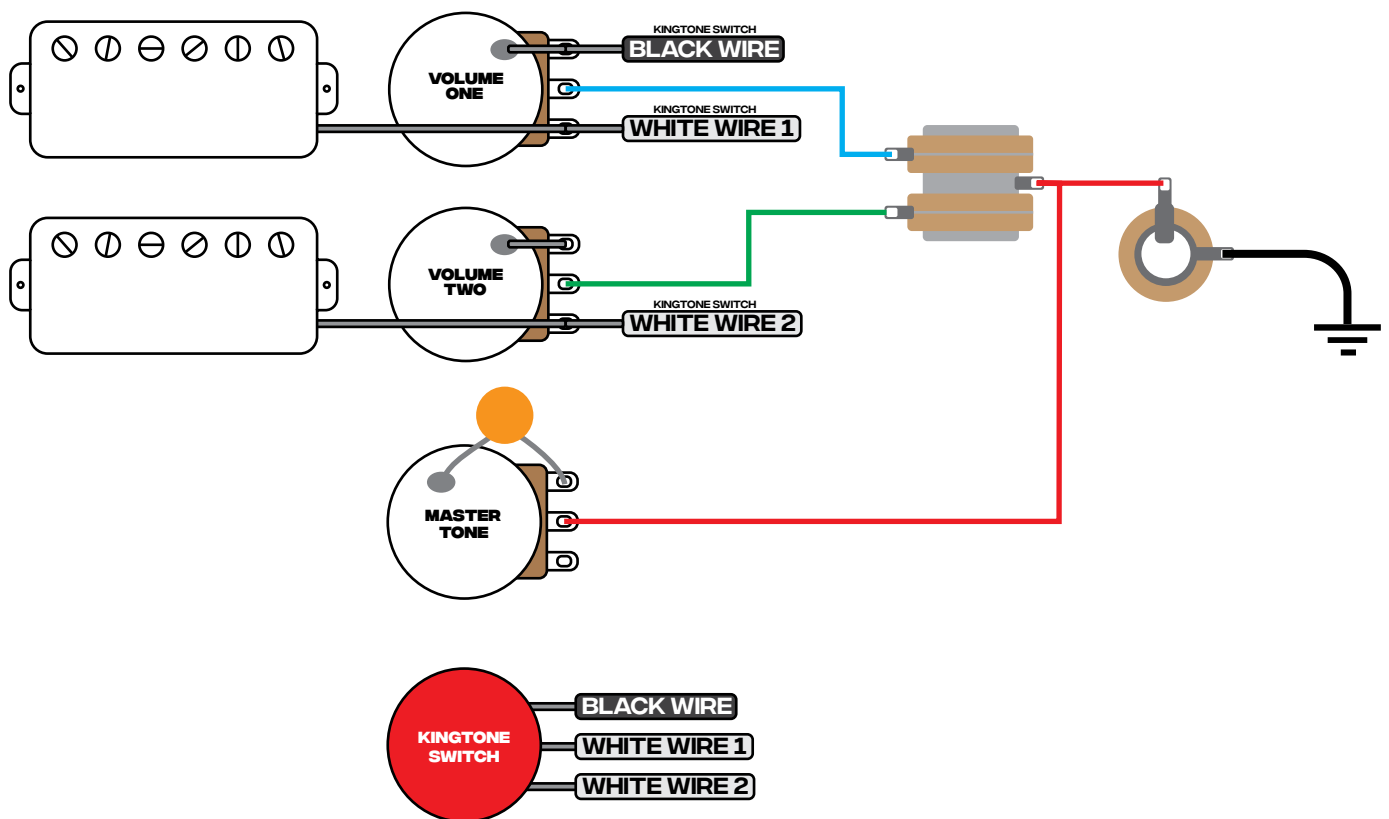




KINGTONE DUET WIRING DIAGRAM

THIS WILL WIRE THE REMAINING TONE CONTROL AS A MASTER TONE.

1. Remove one of the tone controls and install the KingTone Switch.
2. Connect the wires from the KingTone Switch as shown.
3. Connect the remaining tone to the output of the selector switch.



SIMPLIFIED DIAGRAM

